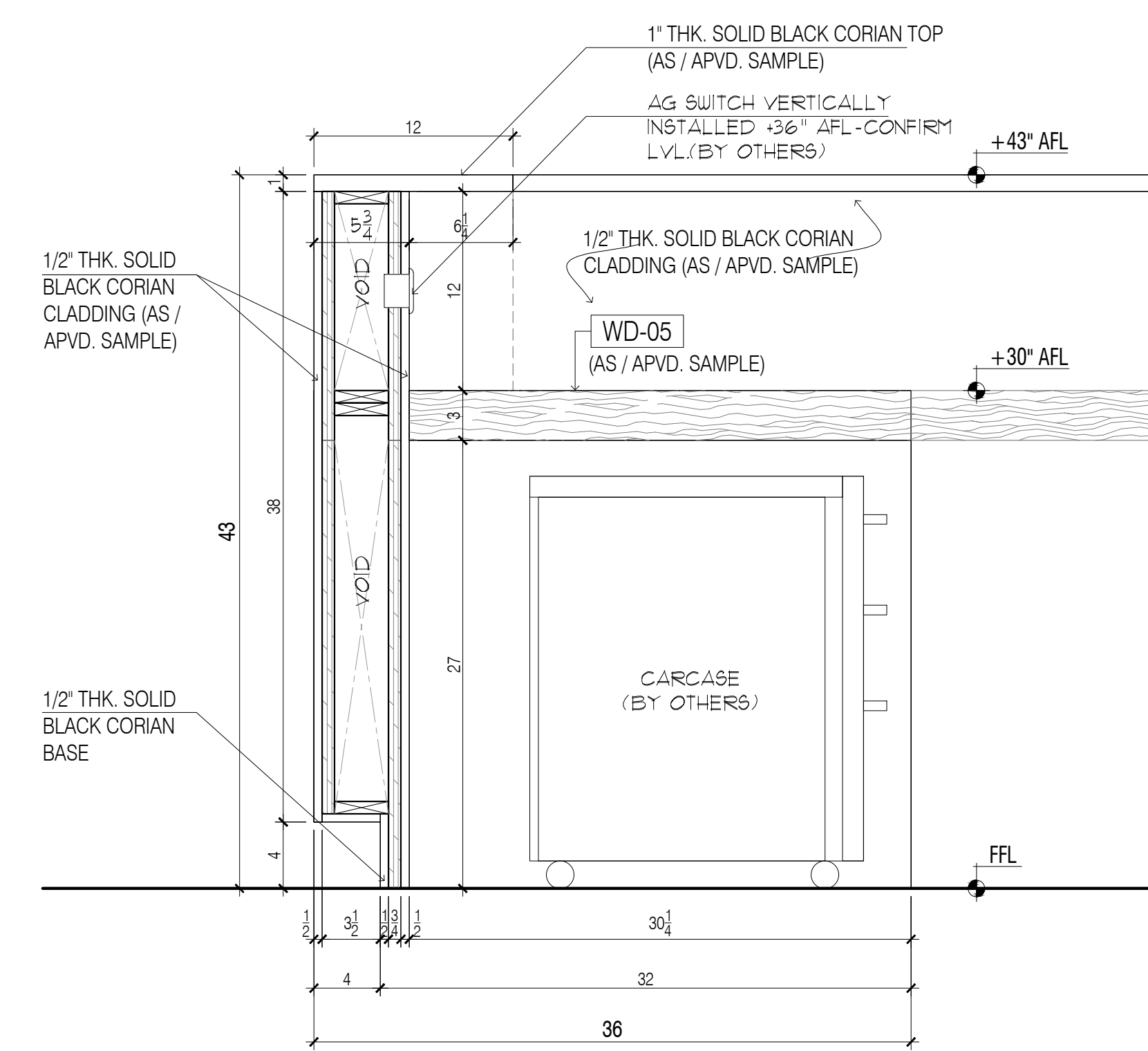
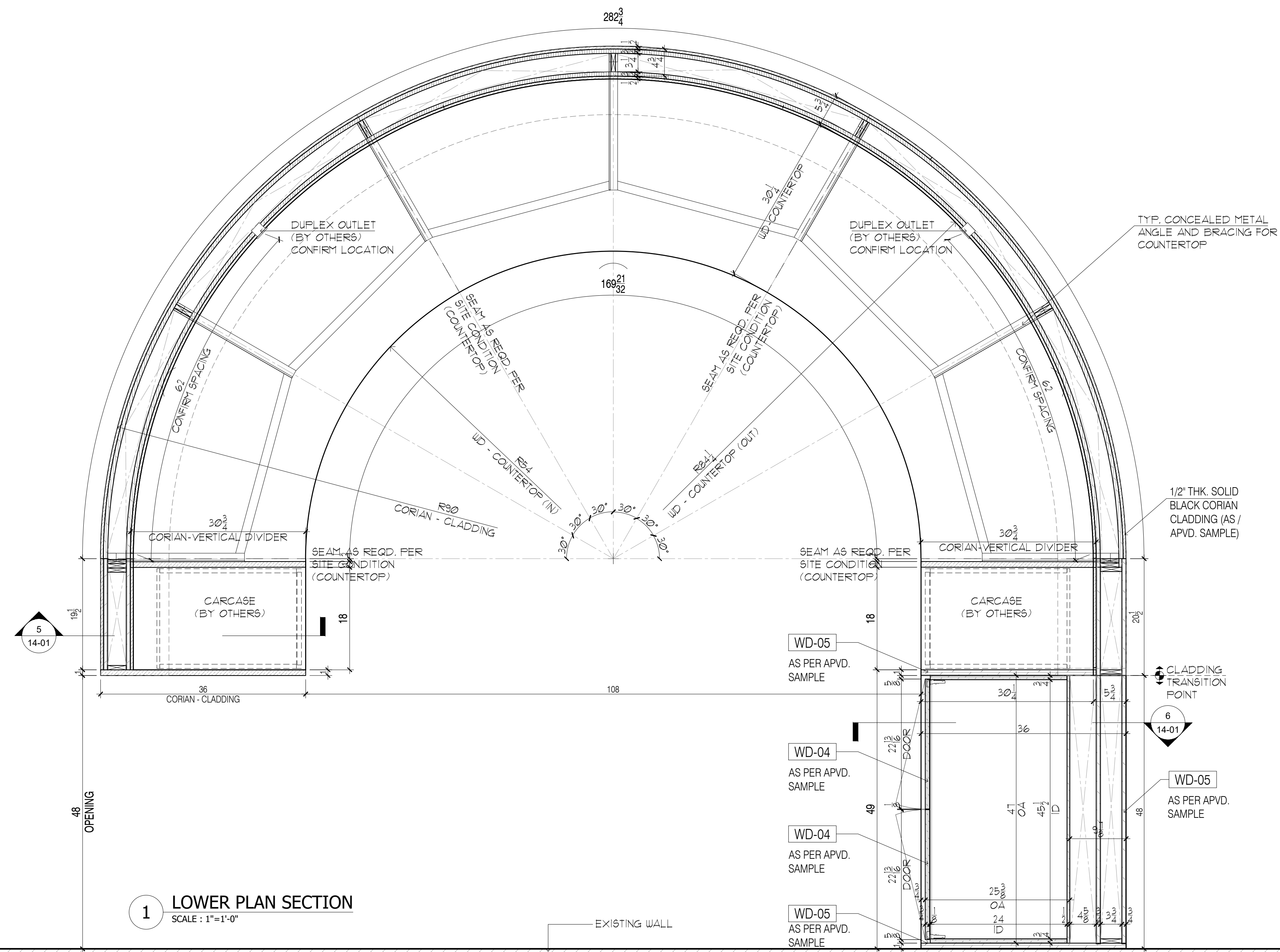


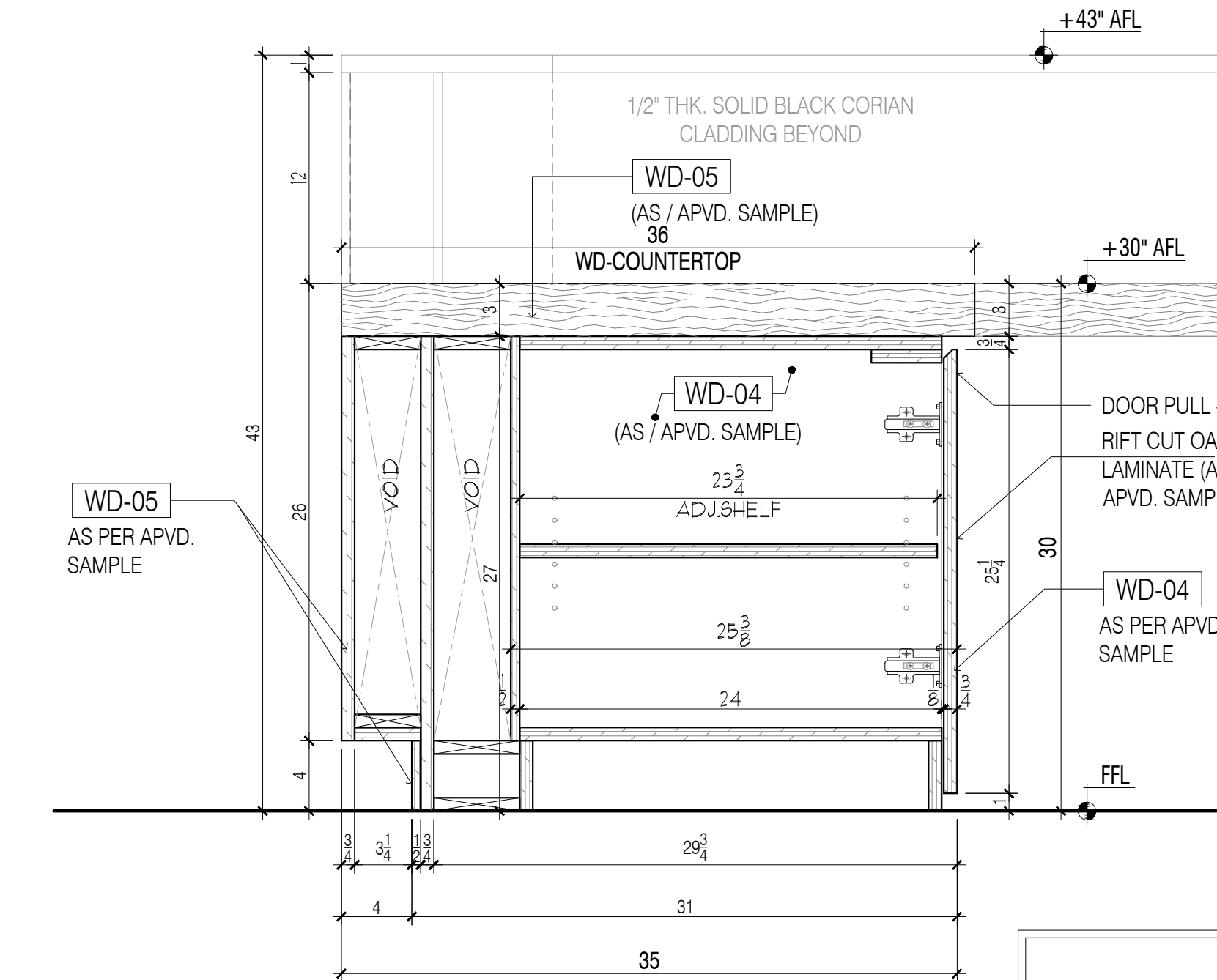
2 NORTH ELEVATION
SCALE: 1"=1'-0"



5 SECTION THRU CARCASE
SCALE: 1-1/2"=1'-0"



1 LOWER PLAN SECTION
SCALE: 1"=1'-0"



6 SECTION THRU CABINET
SCALE: 1-1/2"=1'-0"

FINISH SCHEDULE				
CODE	MFR	MODEL NUMBER	COLOR	FINISH
WD-05				SOLID WOOD OAK COUNTERTOP (AS PER APVD. SAMPLE)
WD-04				RIFT CUT OAK VENEER (CABINETS FACE AND INTERIOR) (AS PER APVD. SAMPLE)

- GENERAL NOTES**
- SEE ARCHITECTURAL DWG FOR FINISH SCHEDULE
 - ARCHITECT PLEASE CONFIRM ALL MARKED/NOTED CONDITIONS
 - ALL DIMENSIONS ARE VERIFY IN THE FIELD
- NO VISIBLE SEAM FOR CORIAN CLADDING AND COUNTERTOP (AS / APVD. SAMPLE)**
WOOD COUNTERTOP SEAM AS PER MATERIAL AVAILABLE SIZE BUT NOT IN CENTER TO CENTER (TYP.)
GRAIN DIRECTION (TBD)
DOOR PULL (TBD)
- ALL EDGES ARE EXPOSED UNLESS NOTED OTHERWISE (ARCH. PLEASE CONFIRM)
 - GC TO COORDINATE EXACT LOCATION OF OUTLET WITH MILLWORK
 - GC TO PROVIDE ALL NECESSARY BLOCKING AS REQUIRED

DATE:	04/08/2019
NAME:	LA
NO:	1
REVISIONS:	SUBMISSION FOR APPROVAL
	REVISED AS PER COMMENTS
	2

SAMPLE PROJECT



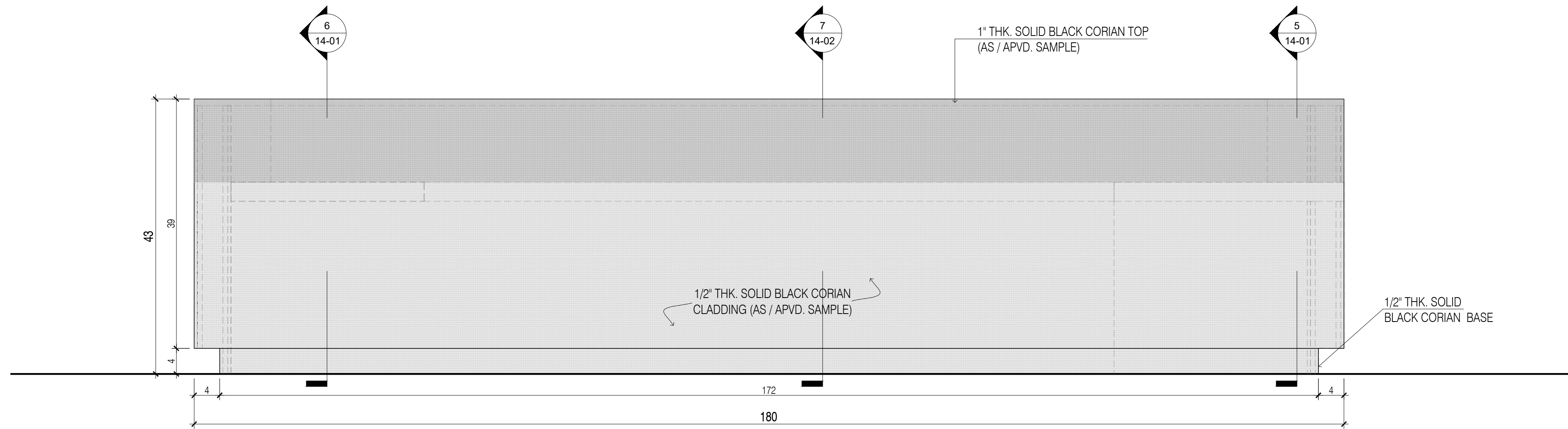
DATE: 10/15/2018
DRAWN BY: LA
ARCHITECT: WEWORK
CONTRACTOR:

DRAWING TITLE: RECEPTION DESK PLAN AND DETAILS

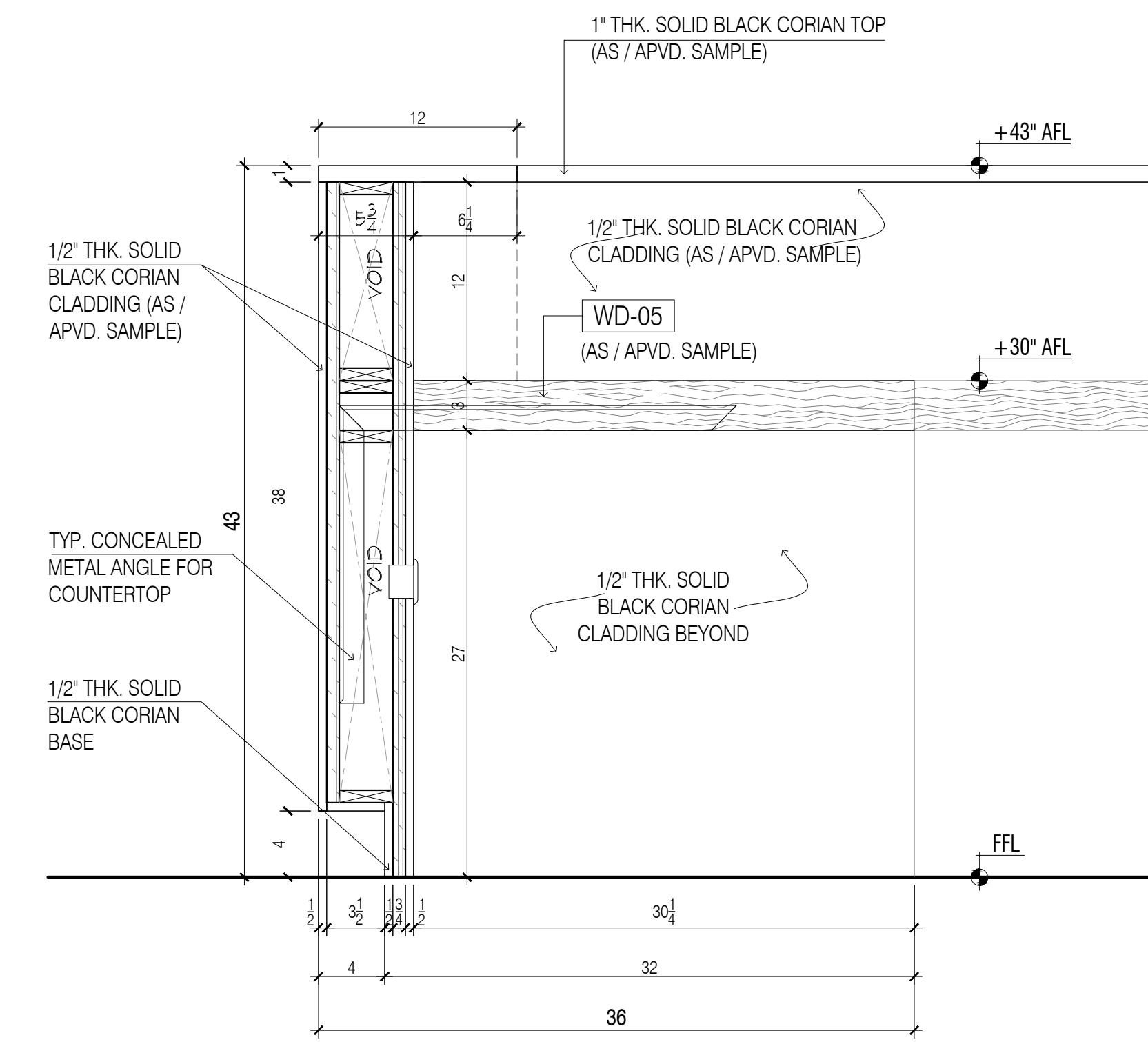
ROOM OR SPACE: FLOOR: 1

PROJECT NUMBER: 359

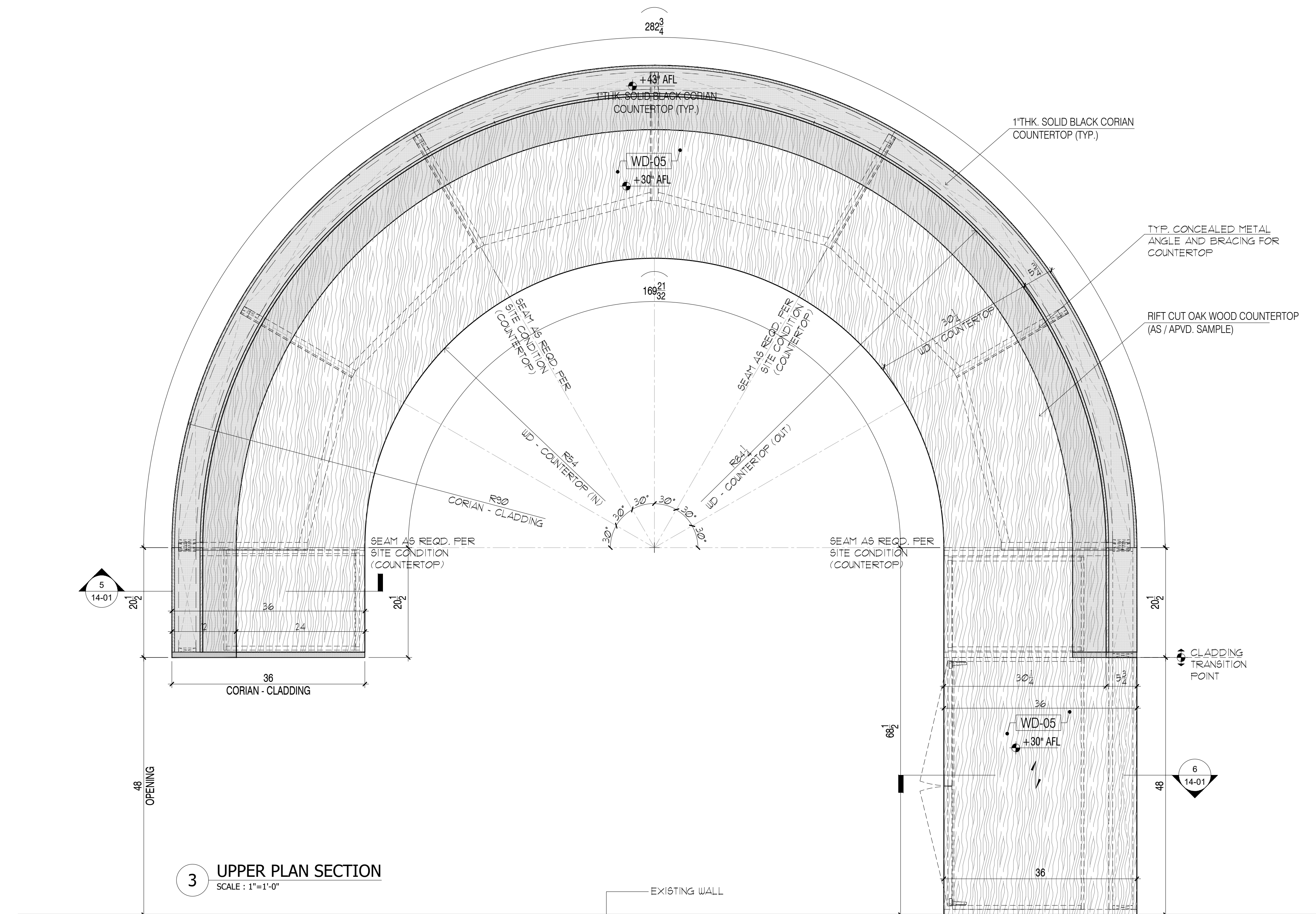
DRAWING NUMBER: 14-01



4 SOUTH ELEVATION
SCALE : 1"=1'-0"



7 SECTION THRU COUNTERTOP
SCALE : 1-1/2"=1'-0"



3 UPPER PLAN SECTION
SCALE : 1"=1'-0"



FINISH SCHEDULE				
CODE	MFR	MODEL NUMBER	COLOR	FINISH
WD-05				SOLID WOOD OAK COUNTERTOP (AS PER APVD. SAMPLE)
WD-04				RIFT CUT OAK VENEER (CABINERY FACE AND INTERIOR) (AS PER APVD. SAMPLE)

- GENERAL NOTES**
- SEE ARCHITECTURAL DWG FOR FINISH SCHEDULE
 - ARCHITECT PLEASE CONFIRM ALL MARKED/NOTED CONDITIONS
 - ALL DIMENSIONS ARE VERIFY IN THE FIELD
- NO VISIBLE SEAM FOR CORIAN CLADDING AND COUNTERTOP (AS APVD. SAMPLE)**
WOOD COUNTERTOP SEAM AS PER MATERIAL AVAILABLE SIZE BUT NOT IN CENTER TO CENTER (TYP.)
GRAIN DIRECTION (TBD)
DOOR PULL (TBD)
- ALL EDGES ARE EXPOSED UNLESS NOTED OTHERWISE [ARCH. PLEASE CONFIRM]
 - GO TO COORDINATE EXACT LOCATION OF OUTLET WITH MILLWORK
 - GO TO PROVIDE ALL NECESSARY BLOCKING AS REQUIRED

DATE:	04/08/2019
NAME:	LA
REVISIONS:	SUBMISSION FOR APPROVAL
NO:	1
	2
	REVISED AS PER COMMENTS

SAMPLE PROJECT

DATE :	10/15/2018
DRAWN BY :	LA
ARCHITECT :	WEWORK
CONTRACTOR :	
DRAWING TITLE :	RECEPTION DESK PLAN AND DETAILS
ROOM OR SPACE :	FLOOR : 1
PROJECT NUMBER :	359
DRAWING NUMBER :	14-02
	2 OF 2